

HANOVER BUILDING SYSTEMS STANDARD SPECIFICATIONS



3-Ply Glu-lam Posts

Posts shall be timbers of glued laminated southern yellow pine (SYP), with pressure treated Southern yellow pine (SYP) on the ground contact end as manufactured by Rigidply Rafters Inc.



Side Wall Girts

Wall girts are 2x4 or 2x6 spaced at 24" O.C. , depending on application.



Header / Truss Supports

Header / Truss supports are typically 2x8 thru 2x12 (MSR) lumber, larger openings will have Engineered LVL or Laminated Beams.



Precast Concrete Pads / Footers

7000 lb PSI Precast concrete pads, 16" in dia, larger size buildings will get standard poured concrete footers, sized per local township requirements.



Pre-Engineered Wood Trusses

Pre-Engineered wood trusses are designed per all local codes and as per specifications of each job.



Metal Roofing and Siding

Fabral GrandRib 3 and GrandRib 3 Plus metal is used on roof and walls, 29 Ga, structural quality full hard steel, 10 layers of protective coatings. Color matching screws are used to attach metal to walls and roof of building.



Gutters & Downspouts

Used to take water away from the building to keep building dry, color matched to building, and gutters are seamless.

Overhangs

Standard overhangs on Eaves are 16", 12" gable overhangs can be added at a small additional charge.



Entry Doors

We offer various types of entry doors, but our standards our 9 Lite or Solid.



Windows

We offer various types of windows, from sliders, to single, and double hung, to custom windows per customer's request.



Overhead Garage Doors & Large Entry Doors

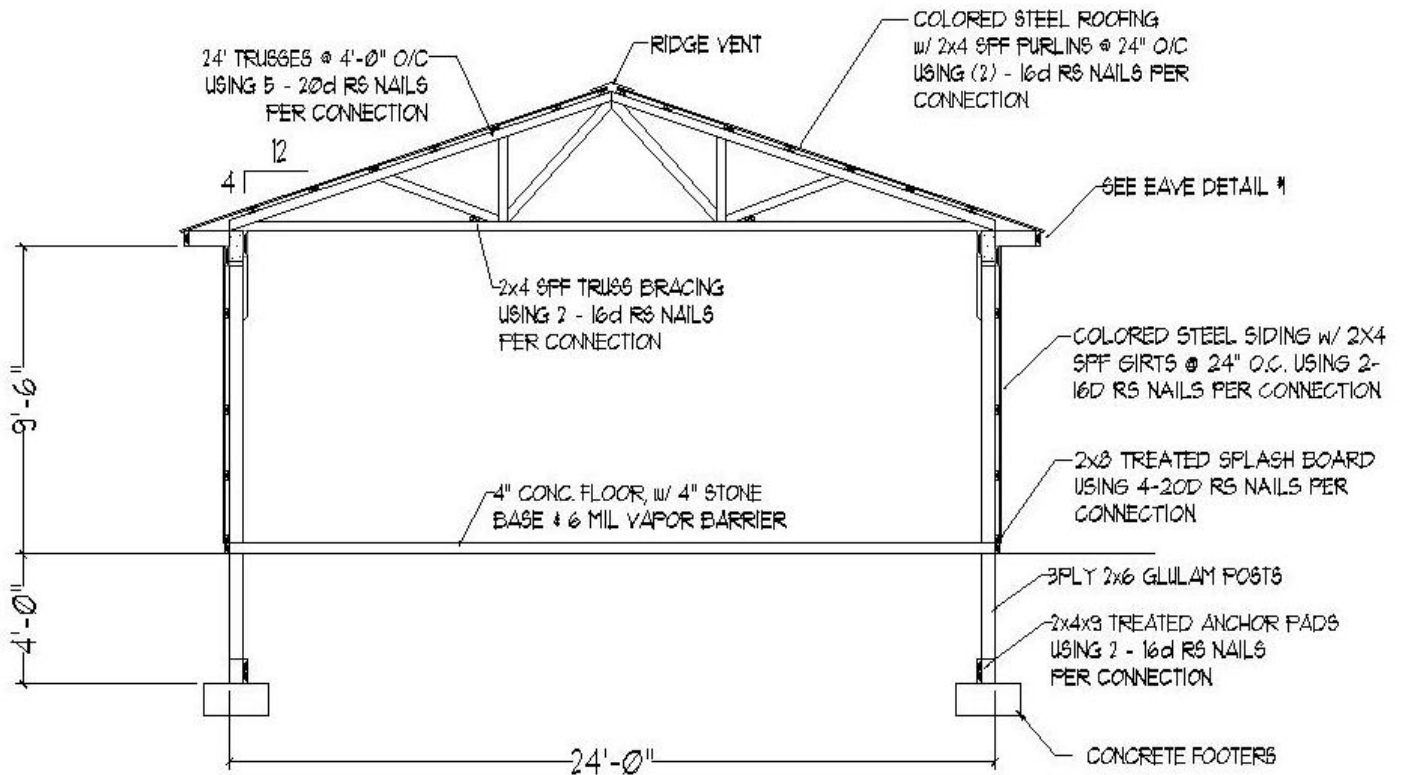
Various door options are available – Overhead Doors, Sliding Doors for agricultural or Horse Building Applications



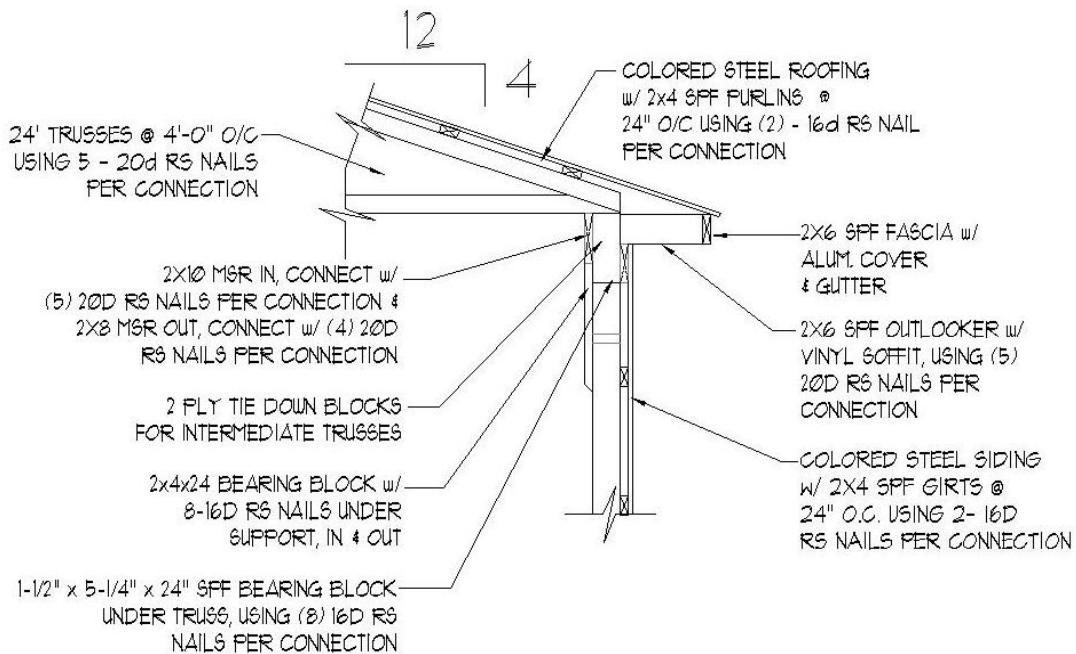
Optional Exterior Finishes

Various types of exterior finishes are offered per customers order, or specs, from Brick, Stone, Dryvit, Wainscoting, to Vinyl Siding, and Asphalt Architectural Shingles.





TYPICAL CROSS SECTION



TYPICAL EAVE DETAIL